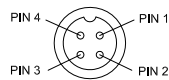


13 PIN FEMALE MATING FACE

PIN #	WIRE COLOUR	DESCRIPTION
1	RED	+12V
2	BROWN	TRIGGER 3
3	BLUE	TRIGGER 2
4	PURPLE	TRIGGER 1
5	PALE RED	CA1 +12V OUT
6	GRAY	CA1 AUDIO
7	YELLOW	CA1 VIDEO
8	GREEN	CA2 +12V OUT
9	PALE GREEN	CA2 AUDIO
10	WHITE	CA2 VIDEO
11	BLACK	CA3 +12V OUT
12	PALE BLUE	CA3 AUDIO
13	ORANGE	CA3 VIDEO
14	BLACK	GROUND

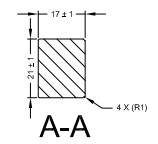
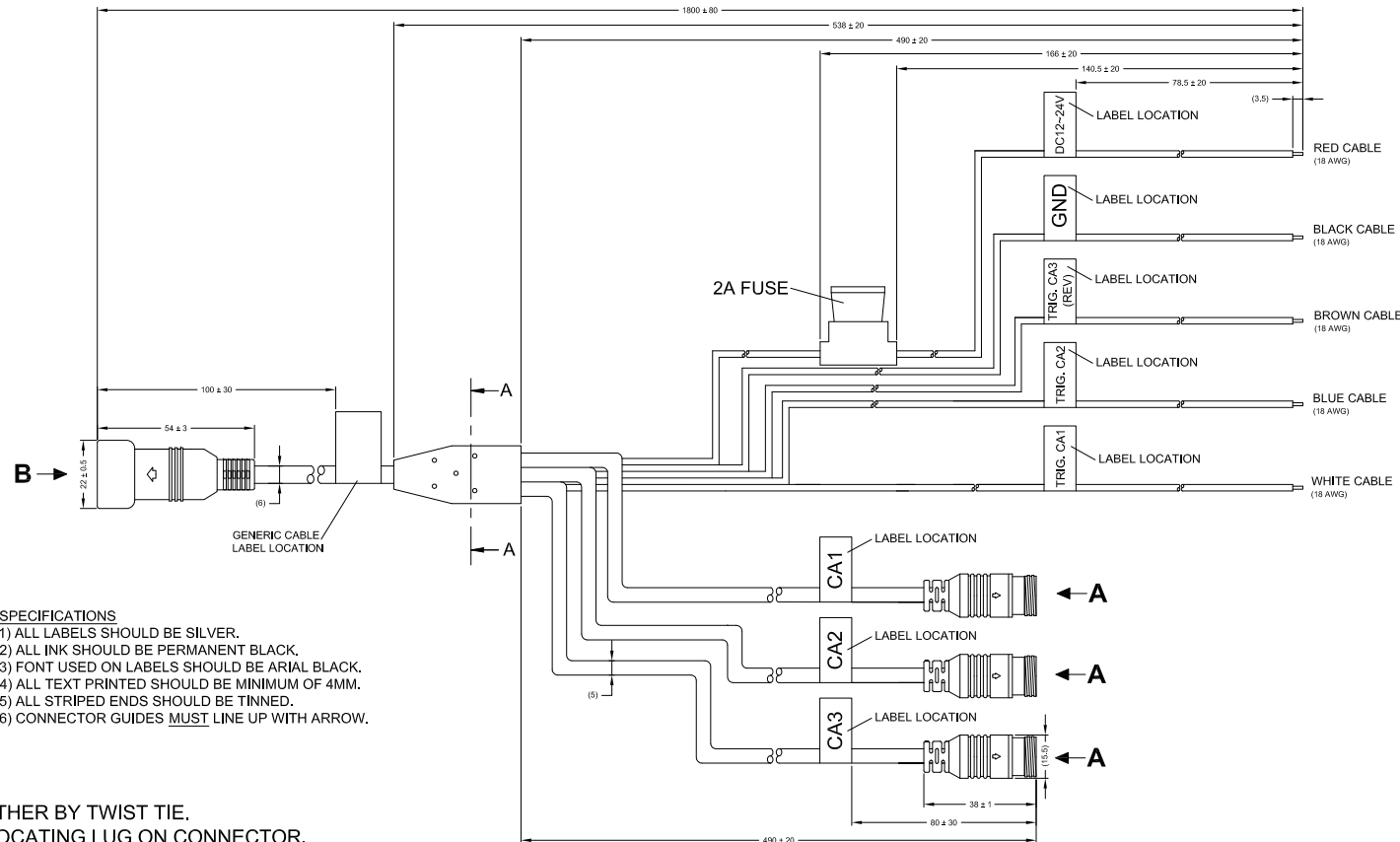
VIEW A



4 PIN MALE MATING FACE

PIN #	WIRE COLOUR	DESCRIPTION
1	RED	+12V
2	BLACK	GND
3	WHITE	AUDIO
4	YELLOW	VIDEO

Revision Notes.		
1. LABEL DETAIL CORRECTED		
Checked By: MB	Approved By: DK	Date Released: 15/09/10
2. CAMERA CONNECTION LENGTH & DIMENSION REVISED.		
Checked By: JN	Approved By: AL	Date Released: 16/03/11
3. CABLE LENGTH DIMENSION REVISED.		
Checked By: MB	Approved By: DK	Date Released: 31/03/11
4. CONNECTOR DIMENSION REVISED AND FRAME UPDATED.		
Checked By: JN	Approved By: D.K	Date Released: 22/12/11



- SPECIFICATIONS**
- 1) ALL LABELS SHOULD BE SILVER.
 - 2) ALL INK SHOULD BE PERMANENT BLACK.
 - 3) FONT USED ON LABELS SHOULD BE ARIAL BLACK.
 - 4) ALL TEXT PRINTED SHOULD BE MINIMUM OF 4MM.
 - 5) ALL STRIPED ENDS SHOULD BE TINNED.
 - 6) CONNECTOR GUIDES MUST LINE UP WITH ARROW.

- NOTES:**
1. DIMENSIONS IN MM.
 2. CABLE TO BE HELD NEATLY TOGETHER BY TWIST TIE.
 3. ENSURE ARROWS LINE UP WITH LOCATING LUG ON CONNECTOR.
 4. MAXIMUM POSSIBLE RESISTANCE PERMITTED FOR CABLE IS 1.2Ω.
 5. COLOUR OF ALL CONNECTORS: BLACK
 6. FOR MANUFACTURING CONTROLS PLEASE REFER TO ASSEMBLY PLANT DRAWING #SV165 REVISION 1.5.
 7. FOR CABLE LABEL REFER LATEST REVISION OF GENERIC CABLE LABEL DRAWING BE-001500-XX-11.

PROPRIETARY NOTICE
 THIS DESIGN AND TECHNICAL INFORMATION APPEARING ON THIS DRAWING IS THE PROPERTY OF BRIGADE ELECTRONICS, AND IS DISCLOSED IN CONFIDENCE. IT IS NOT TO BE COPIED, REPRODUCED, REVEALED TO OR EXPROPRIATED BY OTHERS, EITHER IN WHOLE OR IN PART WITHOUT THE EXPRESS WRITTEN CONSENT OF BRIGADE ELECTRONICS.



Assembly Pl Approval XINYU HUANG(29/10/12)	Approved by D.KERAI	Checked by A.LAM	Released 09/06/10	Drawn by M.BUTLER
Angle of Projection	Units mm	Scale N/A	Released 09/06/10	Assembly Ref #165
Third Angle	Status RELEASED	Stock Code 3176A	VBV-7X0DM-CA	
			BE-001080-04-10	